



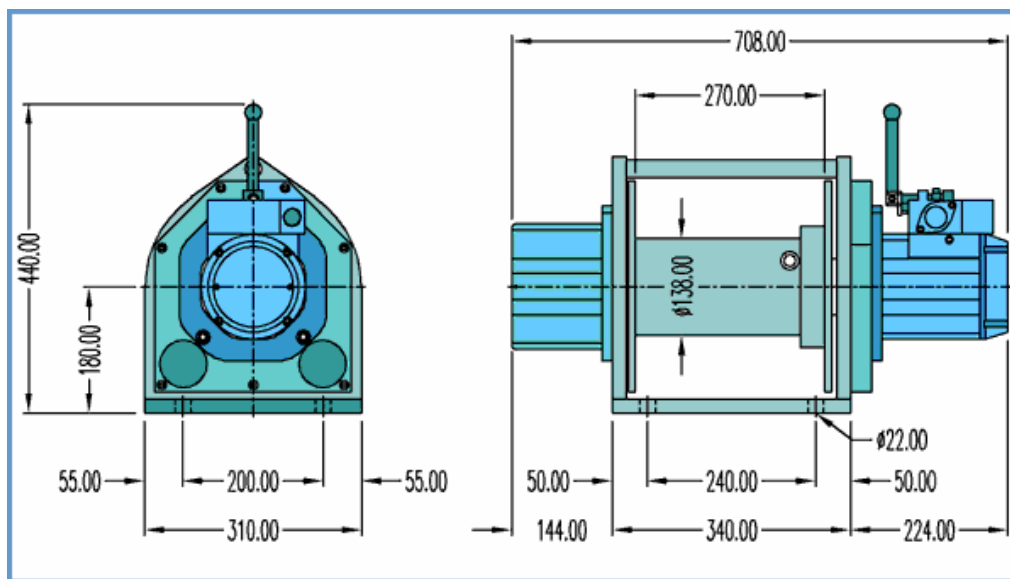
MME Manufacturing CO. (Pty) Ltd.
P.O. Box 355 Carletonville 2500,
South Africa
Tel: +27 (18) 788 6674/5/6
Fax: +27 (18) 786 1479
email: mme@pixie.co.za



MME WAR-I Series Air Winches

Capacities: 500kg to 3000kg

MME WAR-I series air winches are designed specifically for mining, industrial, marine and general engineering applications. The winches operate at air pressures of between 4 and 7 bar and have a factor of safety of 6 at the rated load. These compact versatile air winches provide high starting torque and fast lifting speeds.



MME WAR-I Series Air Winches

Capacities: 500kg to 3000kg

Technical Specifications 630kPa (90psi)				
Model	WAR 500	WAR 1000	WAR 2000	WAR 3000
Rated air pressure (kPa)	600	600	600	600
Half drum line pull (kg)	500	1000	2000	3000
Rope speed at rated load (m/min)	25.5	12.6	6.1	4.2
Max stall pull 1st layer (kg)	1190	2540	3900	7970
Full drum no load speed (m/min)	57.4	26.8	17.5	8.6
Air consumption (m ³ /min)	4	4	4	4
Supply hose nominal bore (mm)	25	25	25	25
Recommended rope size (mm)	13	13	15	18
Rope length (m)	80	80	59	52
Weight without wire rope (kg)	114	114	114	114

Features and Characteristics

Precise Control

- Lever control, pilot pendent and direct pendent control offer variable speed control. Accurate and precise positioning of loads is standard for all models.

Fail Safe Disc Brake

- Non-asbestos self adjusting disc brake is applied automatically when the air supply to the hoist is shut off. The brake is self adjusting for the life of the brake.

Integral Silencer

- The exhaust air silencer is built into the winch housing and limits the noise level to 76 dB(A).

Lightweight Frame

- Compact high strength aluminum housing ensures portability and corrosion resistance. The construction ensures easy mounting.

Vane Motor

- Air ported, spring assisted van lifting ensures maximum torque when starting under load.

Sealed Gearbox

- The sealed planetary gearbox ensures that the most stringent duty cycles can be met. The gears are heat treated and mounted on high strength, low friction bearings.

OPTIONS

- Options include level control, pilot pendent or direct pendent control, drum guard, load limiter and emergency stop.