

# Air-Loc® Manhole Testers

Air-Loc® Manhole Testers provide the most efficient, accurate and cost-effective method of testing new, existing and rehabilitated manholes, per ASTM C 1244.

Vacuum testing identifies infiltration and exfiltration problems by creating a vacuum in a manhole and then monitoring a gauge for vacuum loss. Less expensive and faster than water testing, the Air-Loc® manhole tester's remote-inflation and monitoring system keeps users away from the "danger zone."

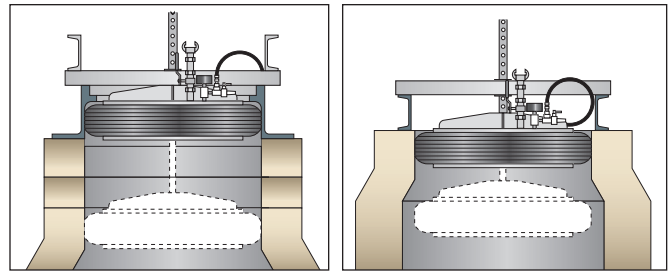
### Bladder-Style Air-Loc® Head Assembly Features:

- Seals the inside diameter of the manhole at frame or cone
- Supported by a durable aluminum brace
- Push-pin rod design for easy depth adjustment
- Includes 20' hose with gauge



### Bladder Style Manhole Testers

Part Number	Description
210248	24" Tester. Seals 20" - 24.3" openings
210268	26" Tester. Seals 21.5" - 26.3" openings
210298	29" Tester. Seals 24" - 29.3" openings
210308	30" Tester. Seals 25" - 30.3" openings
210328	32" Tester. Seals 27.5" - 32.8" openings
210348	34" Tester. Seals 30" - 34.3" openings
210368	36" Tester. Seals 31.5" - 36" openings
098485	24" Bladder, Replacement
008404	26" Bladder, Replacement
060678	29" Bladder, Replacement
099406	30" Bladder, Replacement
063339	32" Bladder, Replacement
063541	36" Bladder, Replacement
055348	20' Replacement Hose and Gauge Assembly
304058	0-30" Hg Vacuum Test Gauge, 3.5" Dial
251372	0-60 PSI Bladder Pressure Gauge, 2" Dial

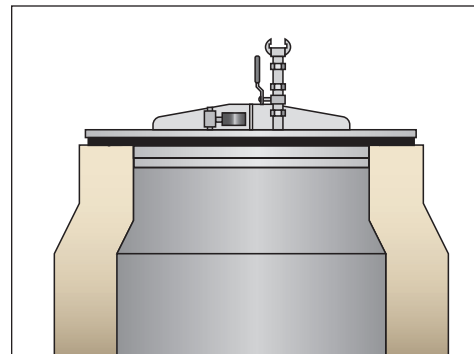
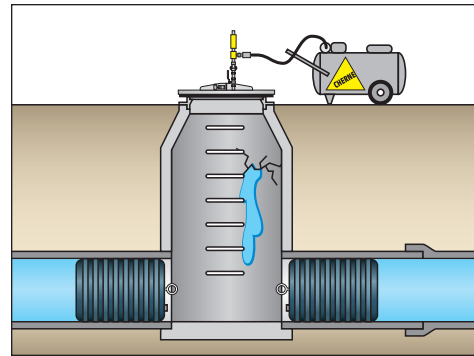


Seals on frame

Seals at top of cone

### Plate-Style Air-Loc® Head Assembly:

- Designed to seal manhole cone surface
- Seals a wide range of manhole diameters
- Neoprene gasket for leak-free seal
- Includes 20' hose with gauge



### Plate Style Manhole Testers

Part Number	Description
220328	32" Tester. Seals 18" - 30" openings
220388	38" Tester. Seals 18" - 36" openings
220448	44" Tester. Seals 18" - 42" openings
033018	32" Replacement Pad
033028	38" Replacement pad
023748	44" Replacement pad
055348	Replacement Hose and Gauge Assembly, 20 feet
304058	0-30" Hg Vacuum Test Gauge, 3.5" Dial